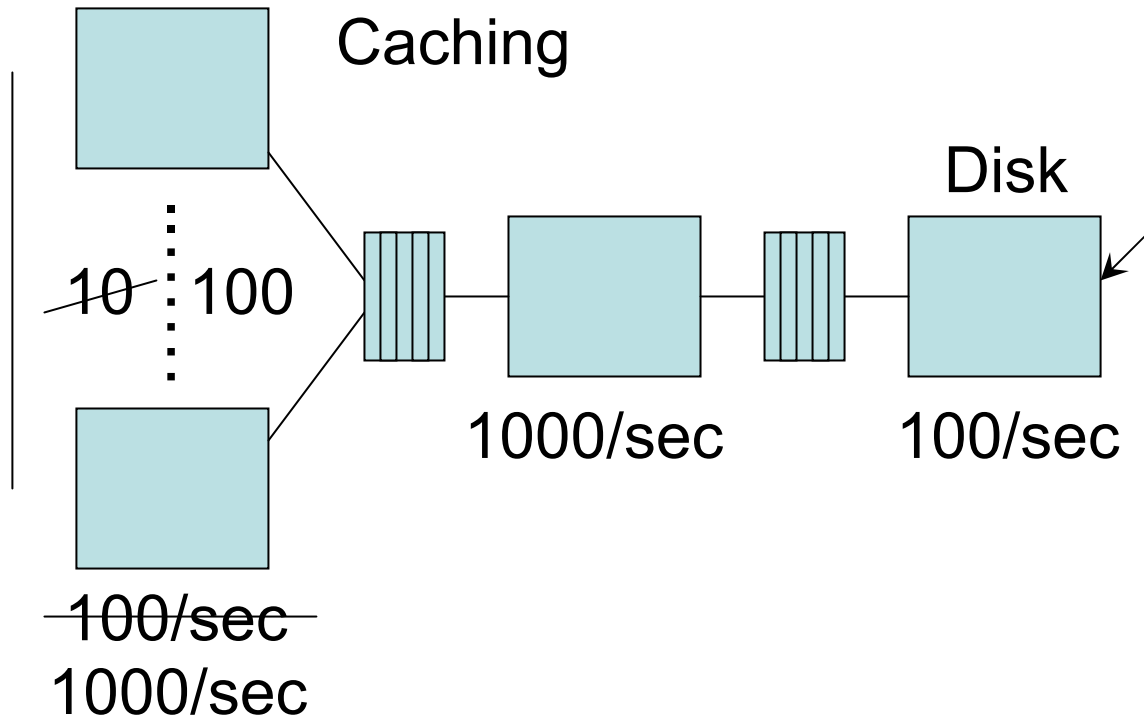


MIT OpenCourseWare
<http://ocw.mit.edu>

6.033 Computer System Engineering
Spring 2009

For information about citing these materials or our Terms of Use, visit: <http://ocw.mit.edu/terms>.



$$C(\text{Cache}) + \text{Pr}(\text{miss})C(\text{miss})$$

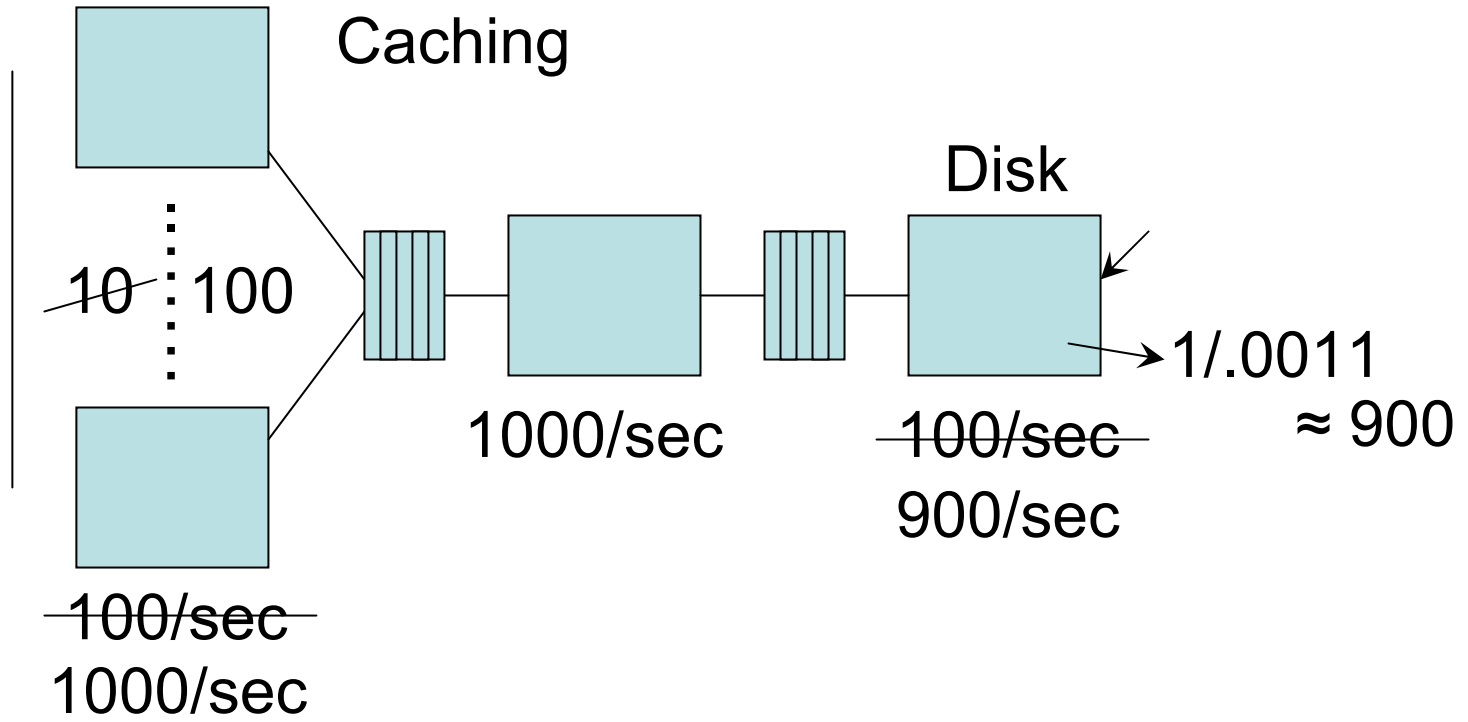
0.1 ms

10 ms

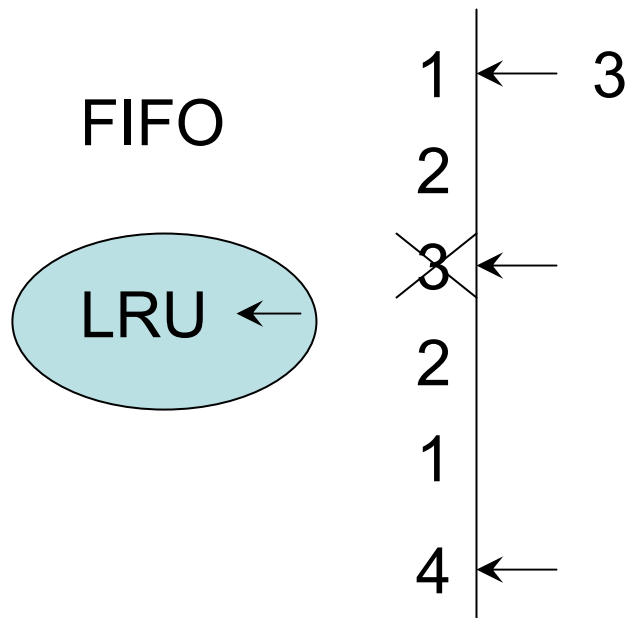
~~0.9~~ 0.1

Locality of reference

1.1 ms



Page Removal Policy



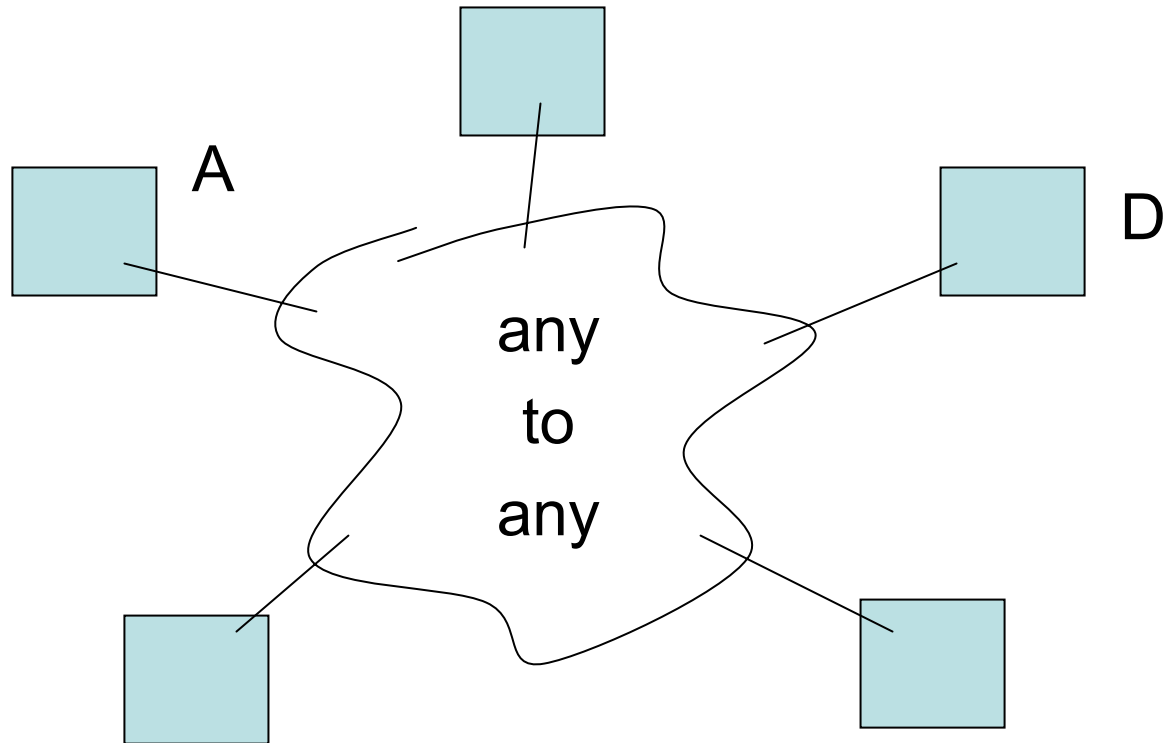
Computer Networks

Components of Systems

- Overcome geographic limits
- Access remote data
- Separate client / server

Interesting System

Goal: Universal Communication



Interesting Issues

Technological

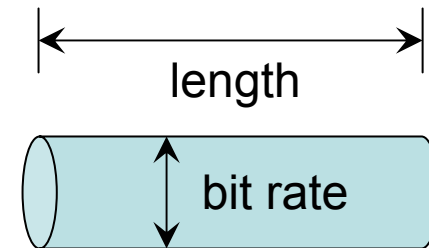
$d\text{tech}/dt$ —
Limits — spd of light

Shared Infrastructure

Technology

Heterogeneous 10^7 difference
Variations

- bit rate
- propagation delay



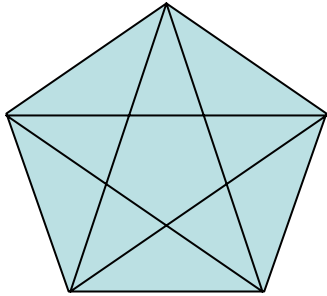
pipe

$$\text{Time to send} = \frac{\text{length}}{\text{spd light}} + \frac{\# \text{ bits}}{\text{bits/sec}}$$

bits/sec/\$ = Slow

human costs

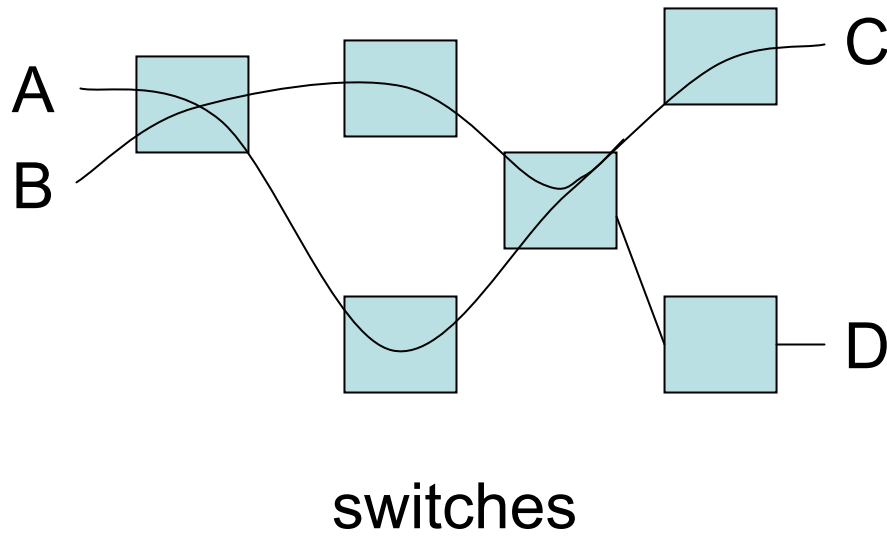
Sharing



n, n^2 wires

multiplexing

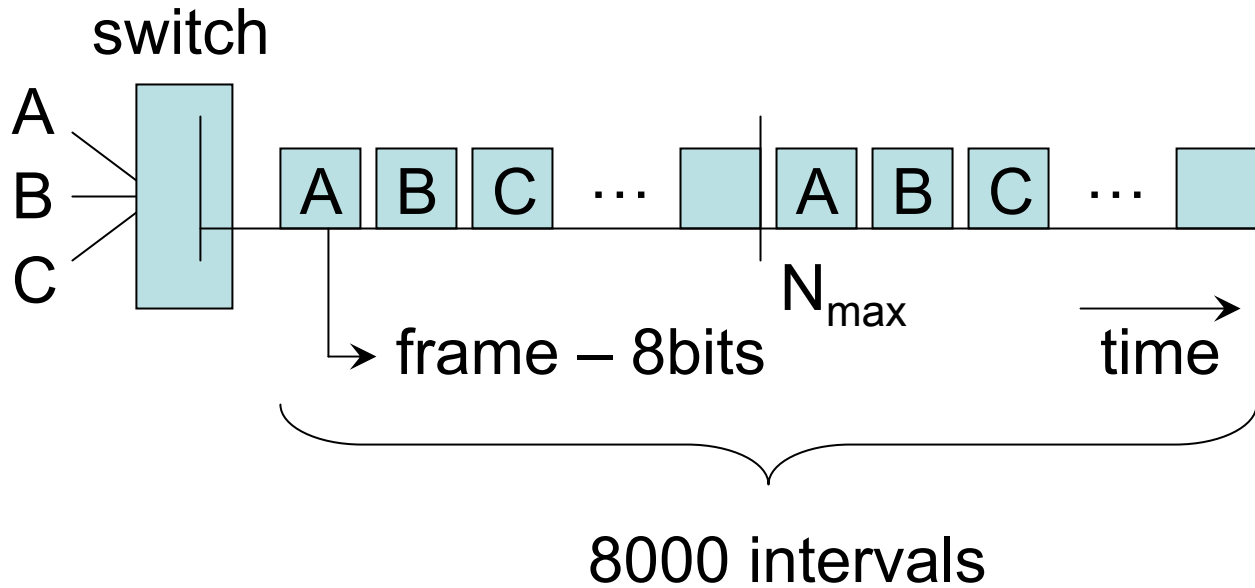
Routing



Routing

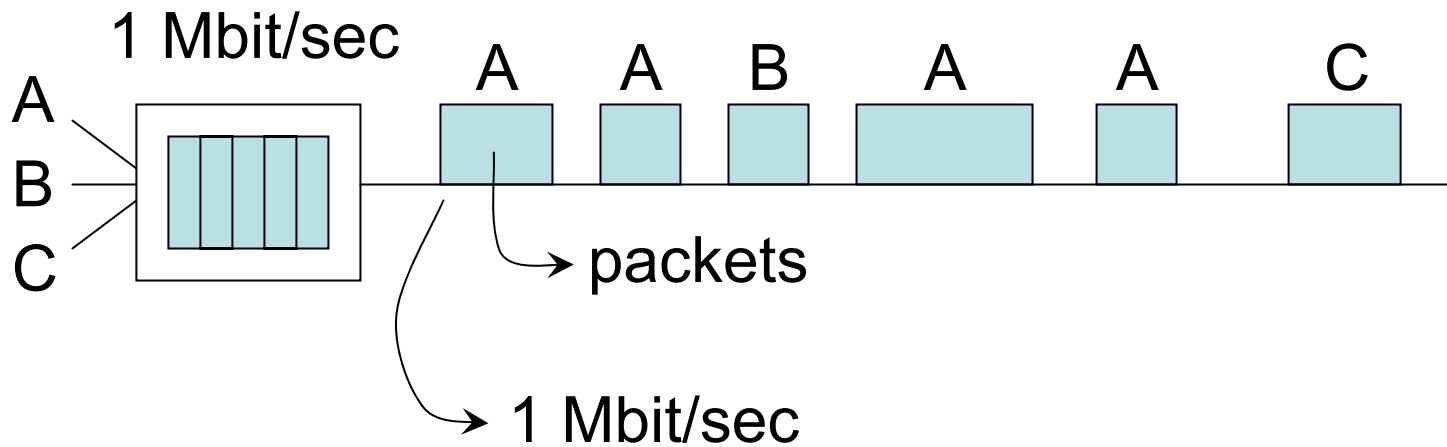
Switching – Circuit
Packet

TDM – time division
multiplexing



Packet Switch – Unpredictable Rates

Asynchronous multiplexing



Queuing delay

Congestion

└─→ drop data

Best effort networking