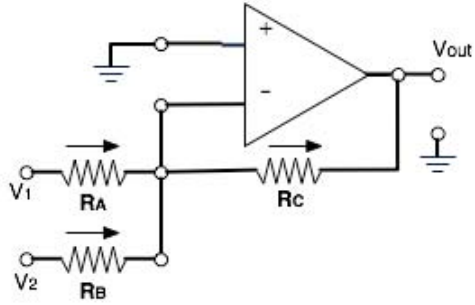


Problem Wk.8.3.2: Summer Vacation

In the following circuit:



Find values for R_A , R_B , and R_C , so that $V_{out} = -(2V_1 + 3V_2)$.

Your answers below should be integers.

$R_A =$

$R_B =$

$R_C = 1000$

MIT OpenCourseWare
<http://ocw.mit.edu>

6.01SC Introduction to Electrical Engineering and Computer Science
Spring 2011

For information about citing these materials or our Terms of Use, visit: <http://ocw.mit.edu/terms>.